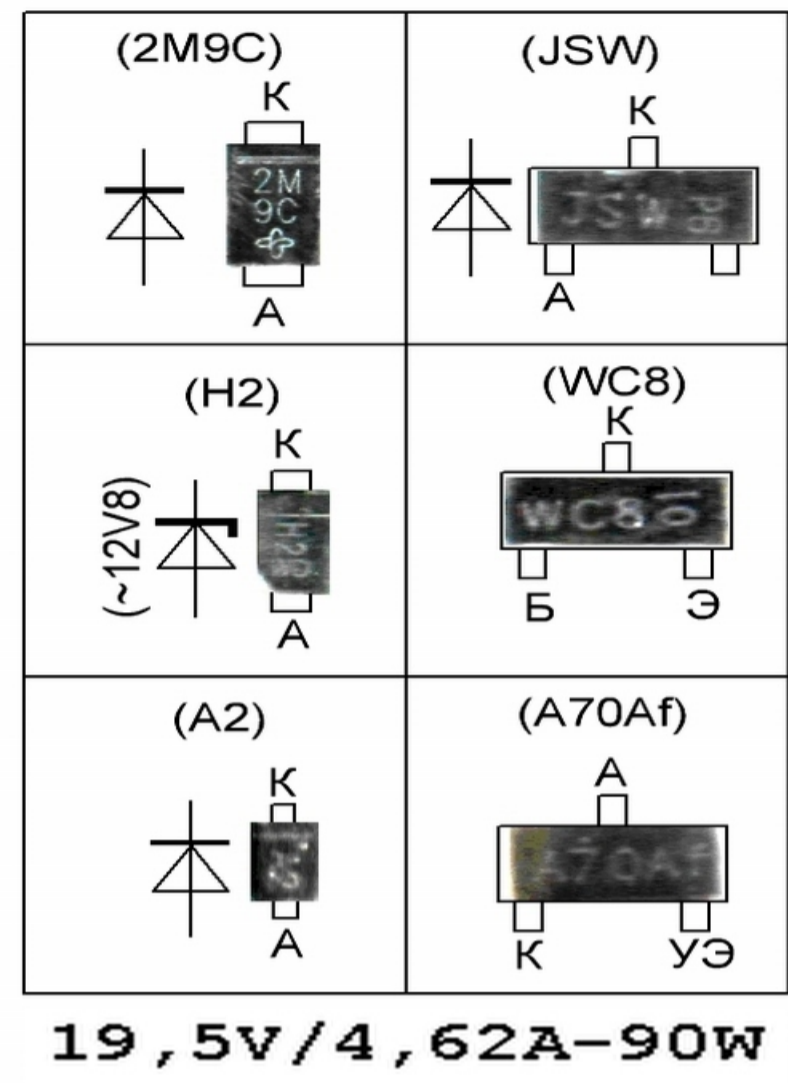
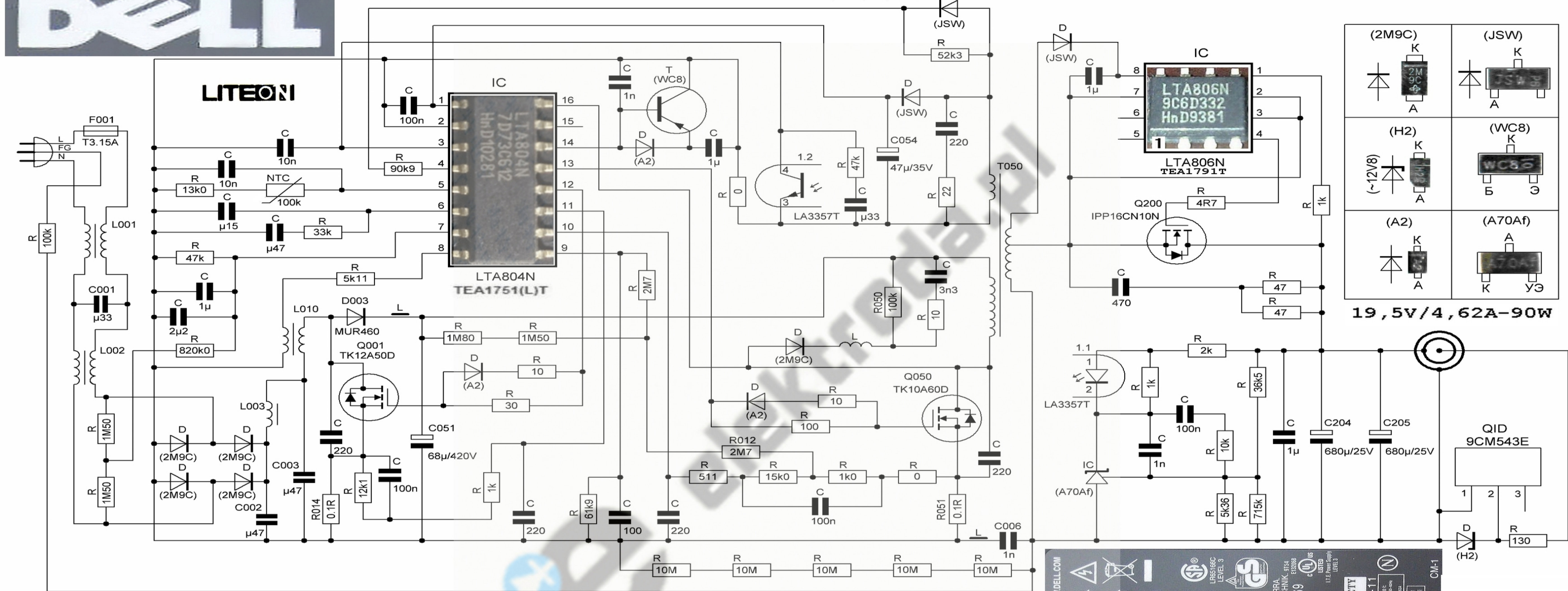




Dell series PA-3E model: PA-1900-28D OUT:19,5V/4,62A



TK12A50D
 12A/500V
 RDS (ON)=0.45Ω

1: Gate
 2: Drain
 3: Source



IPD16CN10N G
 53A/100V
 RDS (ON)=16mΩ

1: Gate
 2: Drain
 3: Source



TK10A60D
 10A/600V
 RDS (ON)=0.58 Ω

1: Gate
 2: Drain
 3: Source



90W AC ADAPTER/ADAPTADOR CA/CC
 PA-3E Family
 DP/N: J62H3
 MODELO(MODEL)NO.:LA90PE1-01
 PA-1900-28D

ENTRADA(INPUT):AC 100-240V~1.5A(1.5A)
 SALIDA(OUTPUT):DC 19.5V(19.5V)---4.62A(4.62A)

SAFETY MARK
 091231-11
 MADE IN CHINA (B) (中国制造/中國製造)

