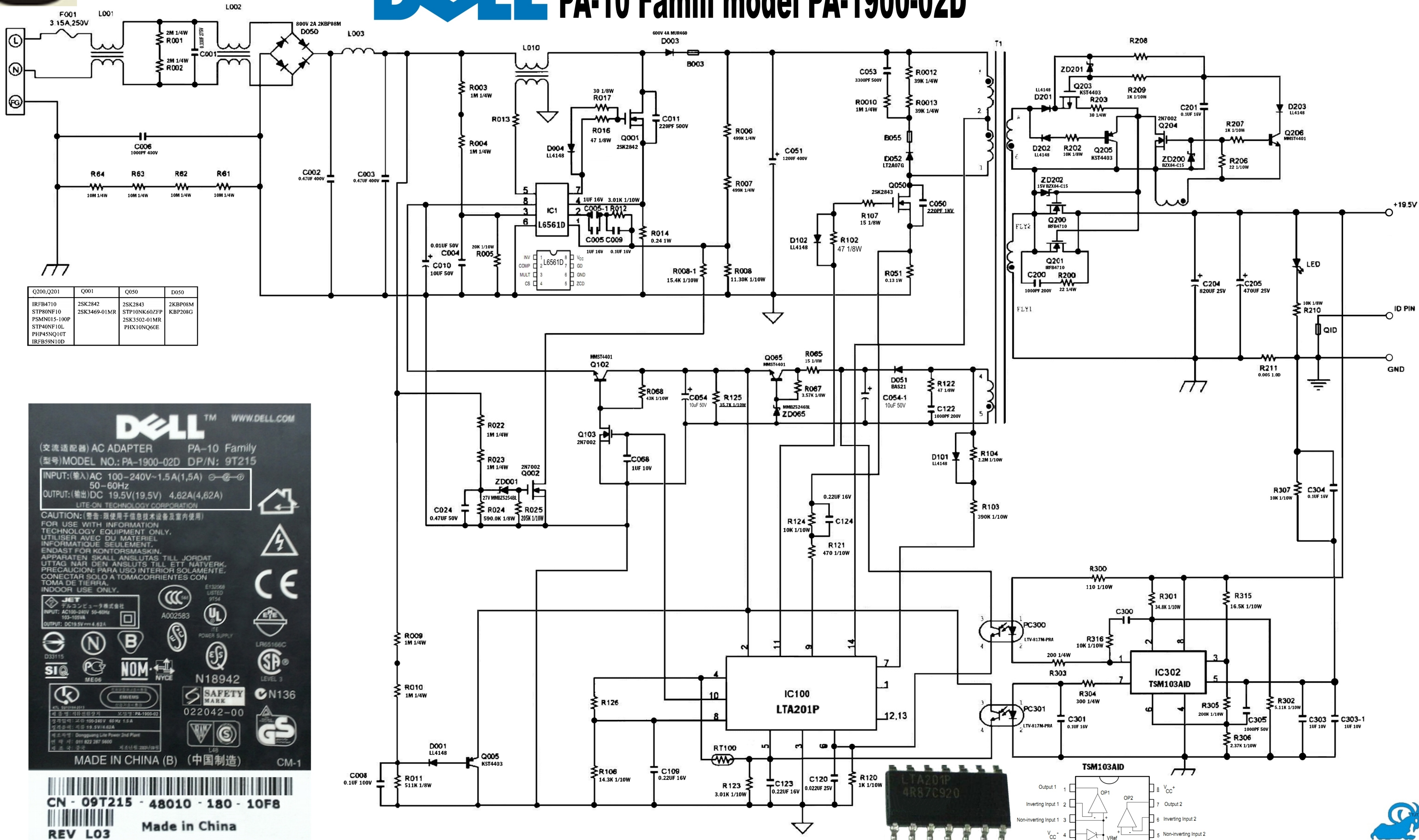




DELL™ PA-10 Famili model PA-1900-02D



DELL™ WWW.DELL.COM

(交流适配器) AC ADAPTER PA-10 Family
(型号) MODEL NO.: PA-1900-02D DP/N: 9T215

INPUT: (输入) AC 100-240V~1.5A(1.5A) 50-60Hz
OUTPUT: (输出) DC 19.5V(19.5V) 4.62A(4.62A)

LITE-ON TECHNOLOGY CORPORATION

CAUTION: (警告) 限用于信息技术设备及室内使用
FOR USE WITH INFORMATION TECHNOLOGY EQUIPMENT ONLY.
UTILISER AVEC DU MATERIEL INFORMATIQUE SEULEMENT.
ENDAST FOR KONTORSMASKIN.
APPARATEN SKALL ANSLUTAS TILL JORDAT UTGÅR NÅR DEN ANSLUTS TILL ETT NÄTVERK.
PRECAUCION: PARA USO INTERIOR SOLAMENTE.
CONECTAR SOLO A TOMACORRIENTES CON TOMA DE TIERRA.
INDOOR USE ONLY.

JET 株式会社 100-109WA
INPUT: AC100-240V 50-60Hz
OUTPUT: DC19.5V 4.62A

A002583
E132058 LISTED 9T215
UL
ITE POWER SUPPLY
LF605166C
D33115
SIQ
PGC
NOM
ME.06
N18942
SAFETY MARK
022042-00
N136

MADE IN CHINA (B) (中国制造) CM-1

CN - 09T215 - 48010 - 180 - 10F8
REV L03
Made in China

