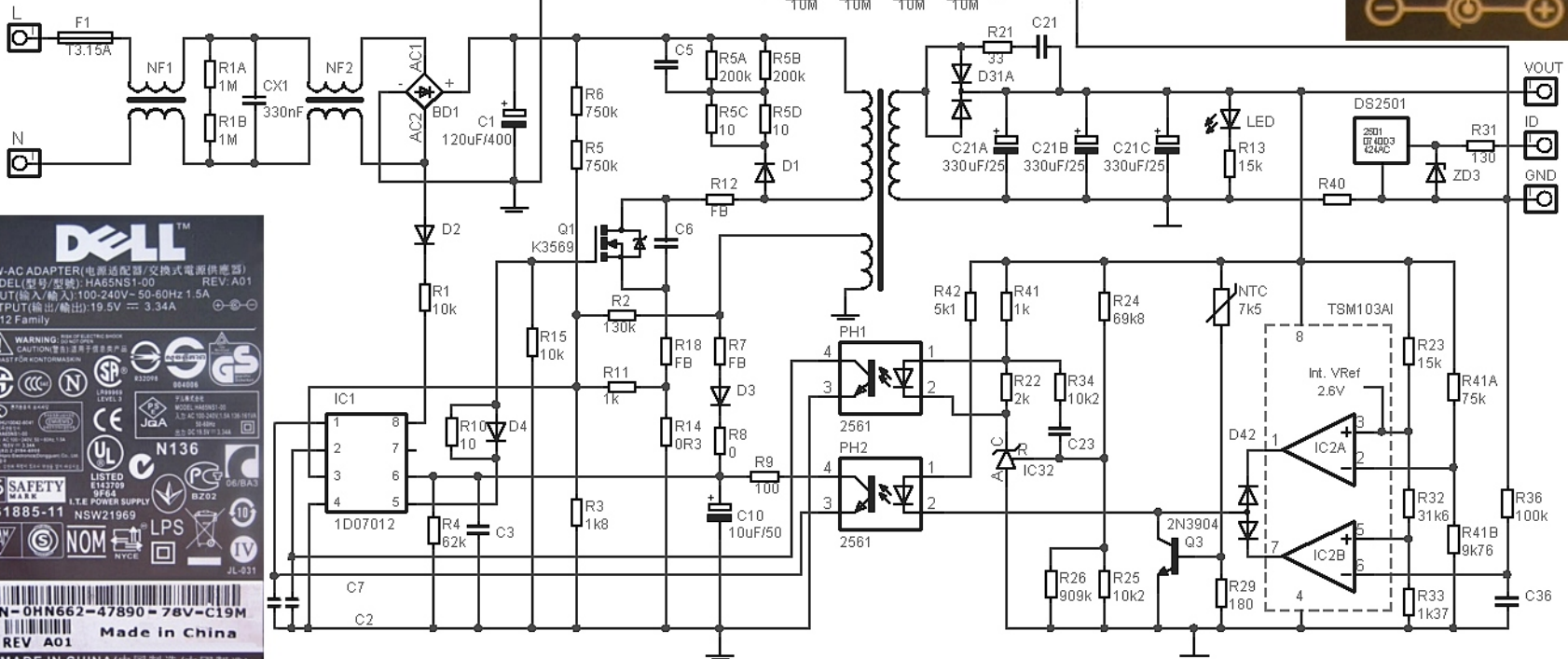
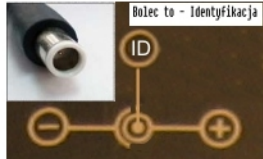


# DELL serii PA-12 model HA65NS1-00 rev. A01

## OUT: 19.5V/3.34A/65W



**DELL™**  
65W-AC ADAPTER(电源适配器/交换式电源供应器)  
MODEL(型号/规格): HA65NS1-00 REV: A01  
INPUT(输入/输入): 100-240V~ 50-60Hz 1.5A  
OUTPUT(输出/输出): 19.5V = 3.34A  
PA-12 Family

WARNING: RISK OF ELECTRIC SHOCK  
CAUTION: 危险! 避免电击或火灾  
ENDELT FOR KONFORMITÄT

GS  
UL  
N136  
SAFETY MARK  
061885-11 NSW21969  
LPS  
NOM  
NYCE  
IV  
JL-931

MADE IN CHINA (中国制造/中國製造)